

ERF4068 , 433MHz antenna, SMA Male connector

**Features**

**Electrical Properties**

Parameter:	Description
Frequency Band:	433 MHz / ~900 MHz / 2600 MHz
Nominal Impedance:	50 Ω
Polarization:	Linear
V.S.W.R.	< 2.0
Gain:	2 dBi



**Mechanical Properties**

Parameter:	Description
Antenna Type:	External Antenna
Mounting Method:	Screw Type
Connector Type:	SMA (Male)
Antenna Dimensions:	75.4 x 45.2 mm ± 1
Antenna Color:	Black
Cable Type:	RG-58/U
Cable Length:	3.0 m ± 0.1
Operating Temperature Range:	-40°C~+85°C
Storage Temperature Range:	-40°C~+85°C

**Typical applications**

- M2M applications
- 433 MHz applications
- ISM

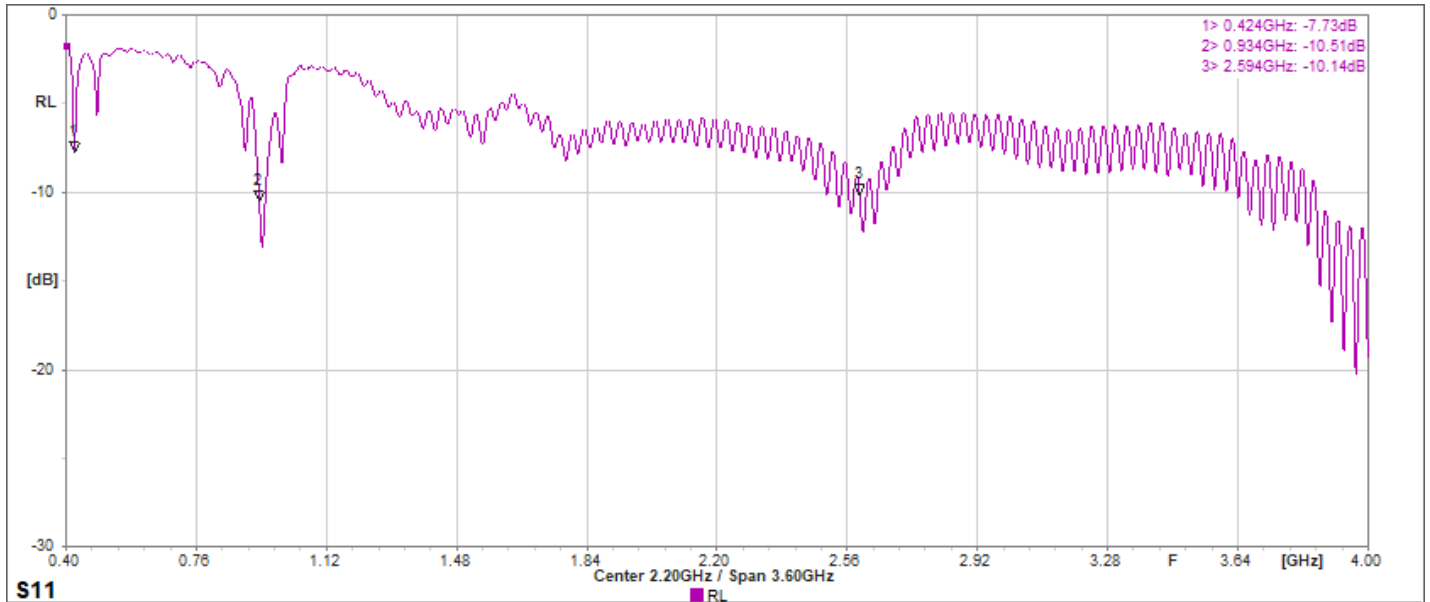
**Description**

The ERF4068 Antenna is a black 433 MHz antenna with a SMA (Male) connector. The antenna can also be used at the frequency band of : ~900 MHz / 2600 MHz. The antenna can be used for applications such as, M2M and 433 MHz applications and ISM.

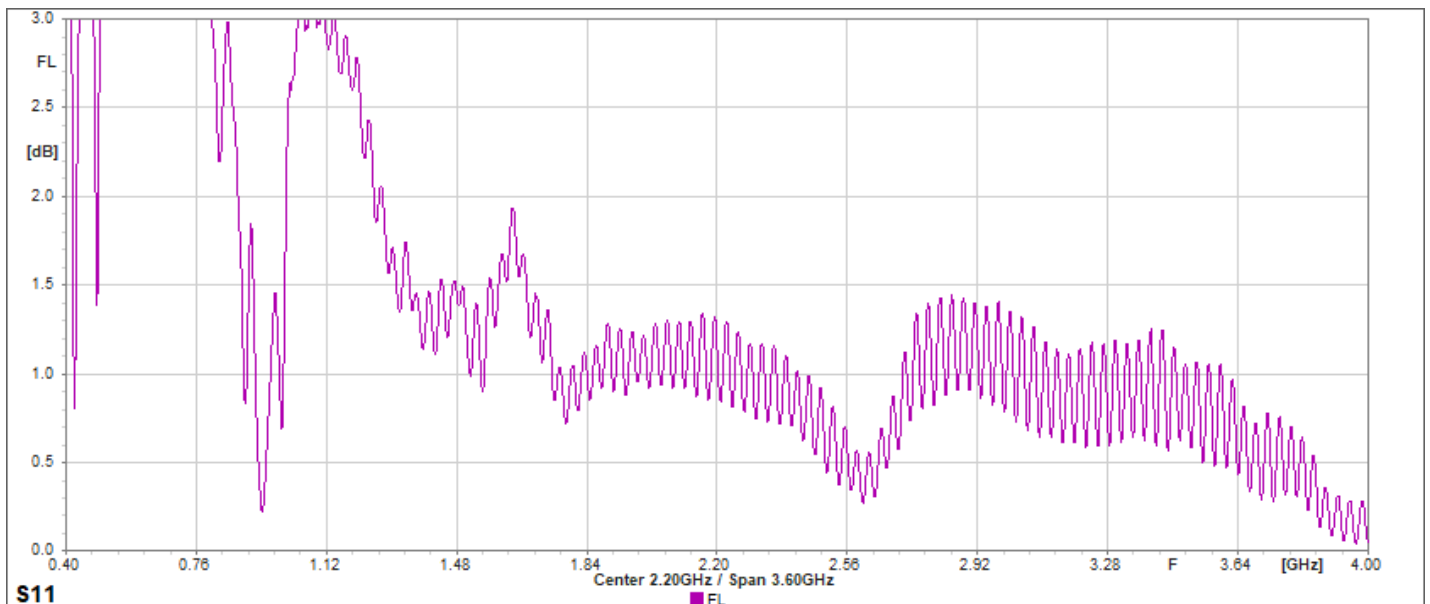
**Antenna Properties**

ERF4068 , 433MHz antenna, SMA Male connector

Return Loss

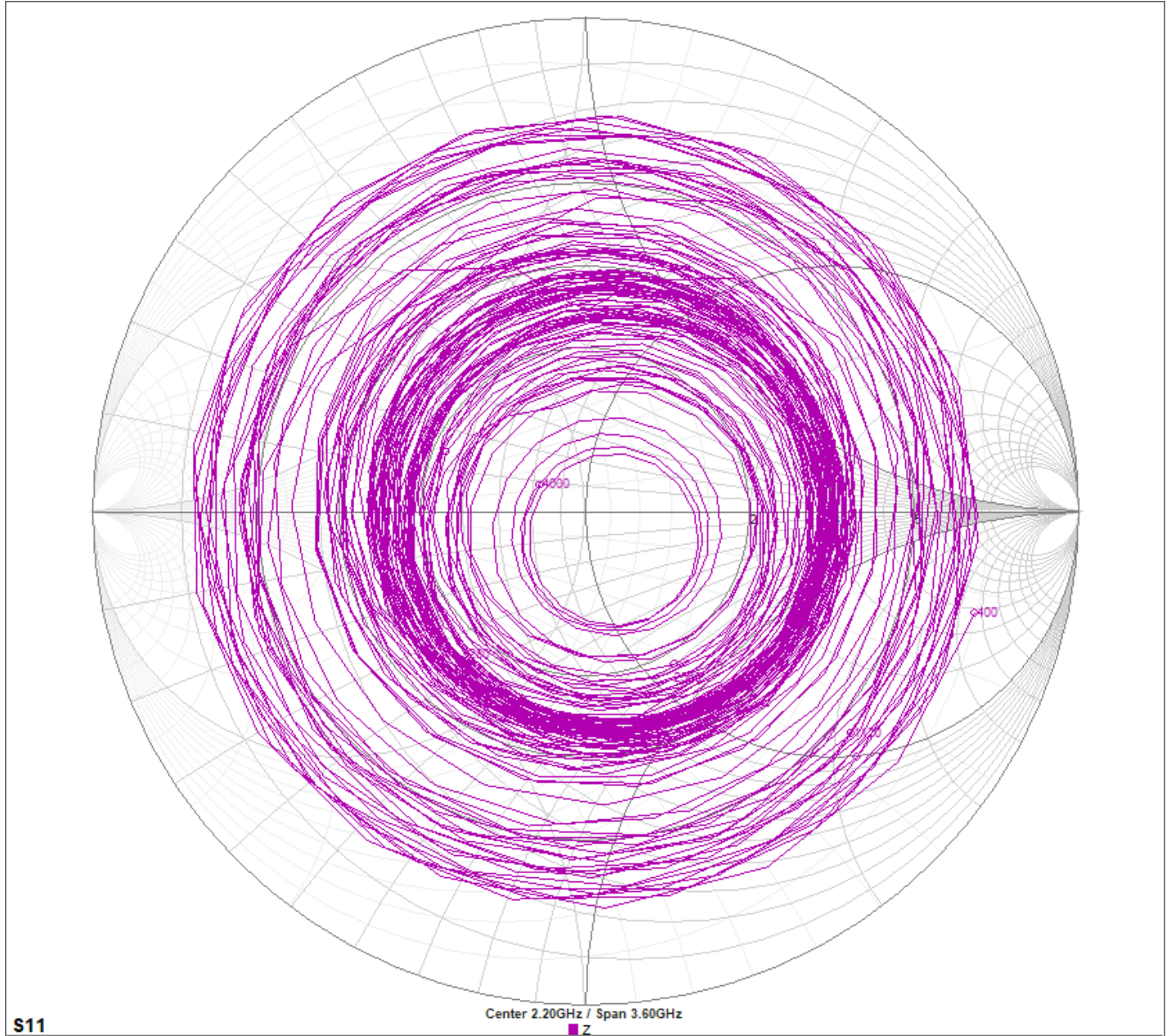


Forward Loss



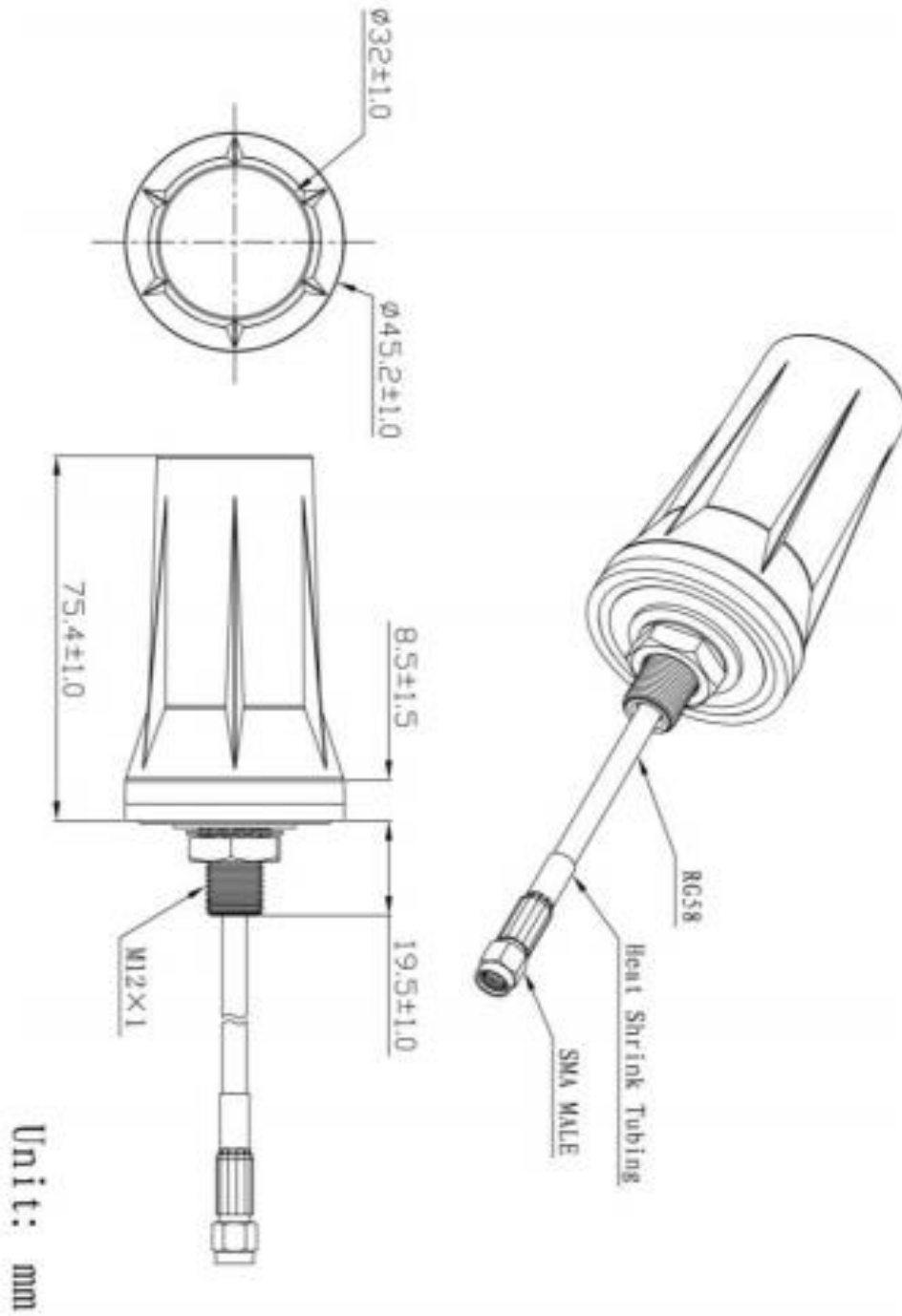
ERF4068 , 433MHz antenna, SMA Male connector

Impedance



ERF4068 , 433MHz antenna, SMA Male connector

Dimensions



ERF4068 , 433MHz antenna, SMA Male connector

---

### Different type of SMA connectors

**SMA Male****SMA Female****RP-SMA Male****RP-SMA Female**

The ERF4068 antenna uses the SMA Male connector.

### Ordering information

Ordering can be done via [www.summit-electronics.com](http://www.summit-electronics.com) or via [info@summit-electronics.com](mailto:info@summit-electronics.com). Please contact us for more information. Customisation of the product is available on request.

### Technical support

For all product questions please contact us via [info@summit-electronics.com](mailto:info@summit-electronics.com)